



US007097647B2

(12) **United States Patent**  
**Segler**

(10) **Patent No.:** **US 7,097,647 B2**

(45) **Date of Patent:** **Aug. 29, 2006**

(54) **TARSAL JOINT SPACE DISTRACTOR**

(76) Inventor: **Christopher Paige Segler**, 79 Montrose Ave., Daly City, CA (US) 94015

(\* ) Notice: Subject to any disclaimer, the term of this patent is extended or adjusted under 35 U.S.C. 154(b) by 543 days.

(21) Appl. No.: **10/248,512**

(22) Filed: **Jan. 25, 2003**

(65) **Prior Publication Data**

US 2004/0147935 A1 Jul. 29, 2004

(51) **Int. Cl.**  
**A61B 17/58** (2006.01)

(52) **U.S. Cl.** ..... **606/90**

(58) **Field of Classification Search** ..... 600/215,  
600/216, 218, 220, 222, 224, 225; 606/86,  
606/90

See application file for complete search history.

(56) **References Cited**

**U.S. PATENT DOCUMENTS**

390,561 A	10/1888	Brown
569,839 A	10/1896	Roeloffs
2,217,968 A	10/1940	Radcliff
2,757,666 A	8/1956	Grant
3,038,467 A	6/1962	Souatkin
3,470,872 A	10/1969	Grieshaber
3,750,652 A	8/1973	Sherwin
3,916,907 A	11/1975	Peterson
4,034,746 A	7/1977	Williams
4,754,746 A	7/1988	Cox

4,898,161 A	2/1990	Grunde
D309,946 S	8/1990	Torre
D314,826 S	2/1991	Torre
D317,202 S	5/1991	Torre
5,307,790 A	5/1994	Byrne
5,351,680 A	10/1994	Jung
D411,299 S	6/1999	Farascioni et al.
D411,883 S	7/1999	Farascioni et al.
5,931,777 A	8/1999	Sava
5,944,658 A	8/1999	Koros et al.
5,957,836 A	9/1999	Johnson
D417,276 S	11/1999	DeFonzo
5,976,125 A	11/1999	Graham
6,017,305 A	1/2000	Bonutti
6,096,046 A	8/2000	Weiss
6,214,004 B1	4/2001	Coker
6,224,545 B1	5/2001	Cocchia et al.
6,241,659 B1	6/2001	Bookwalter et al.
6,261,296 B1*	7/2001	Aebi et al. .... 606/90
D453,377 S	2/2002	Schollhorn et al.

\* cited by examiner

*Primary Examiner*—Eduardo C. Robert

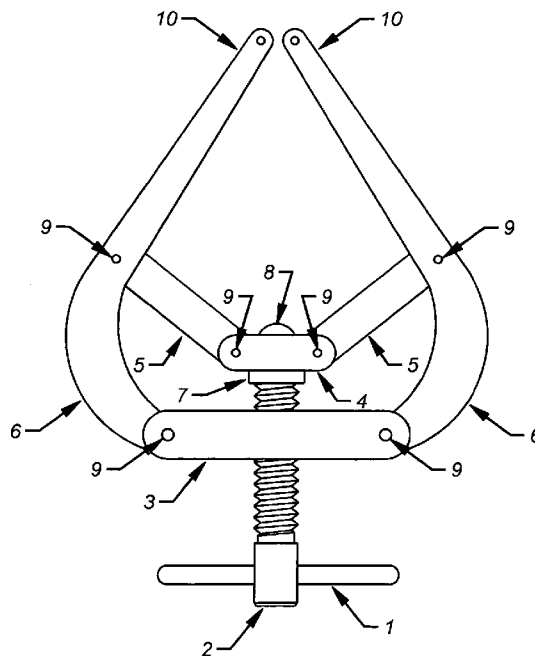
*Assistant Examiner*—Michael J. Araj

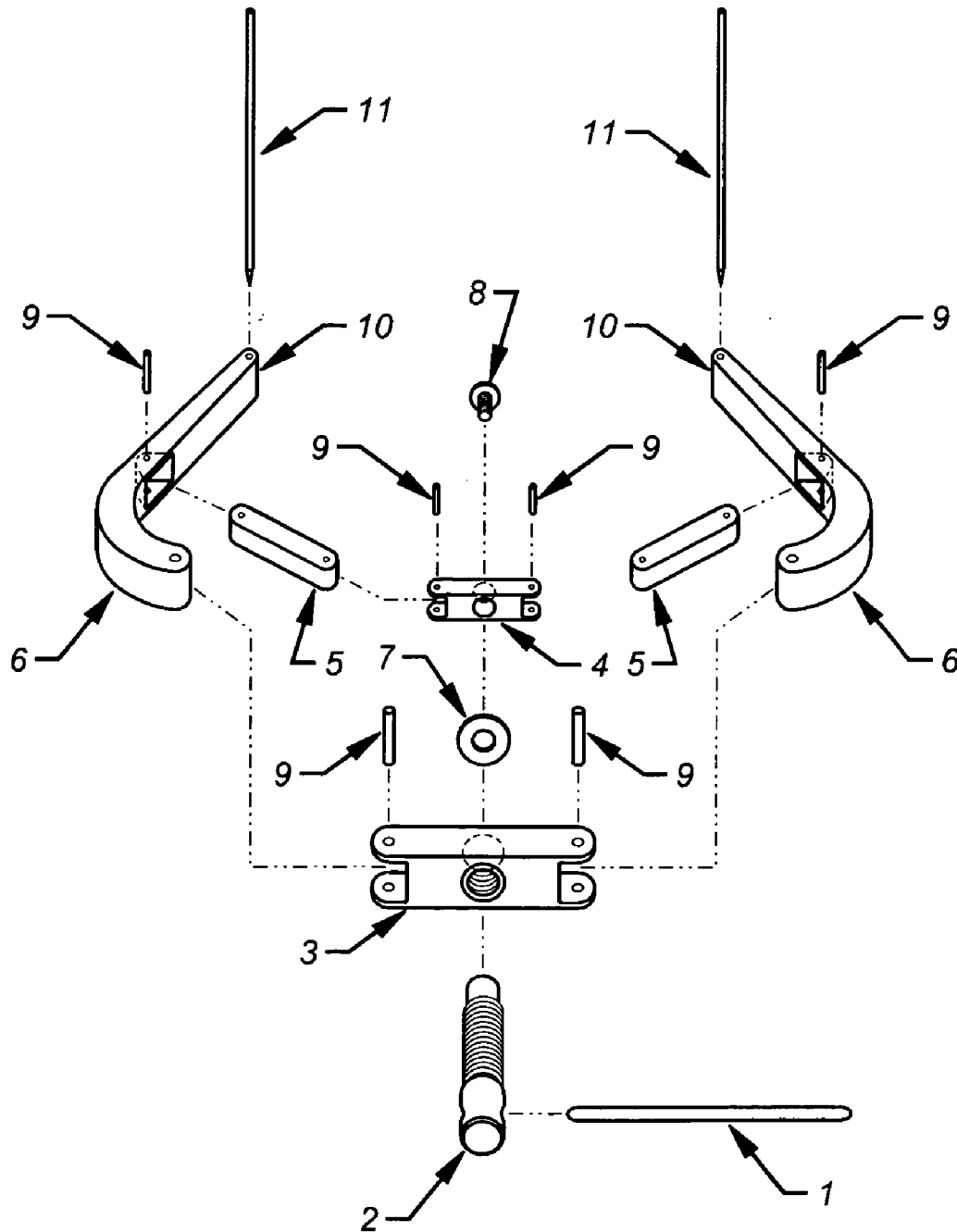
(74) *Attorney, Agent, or Firm*—W. Allen Marcontell

(57) **ABSTRACT**

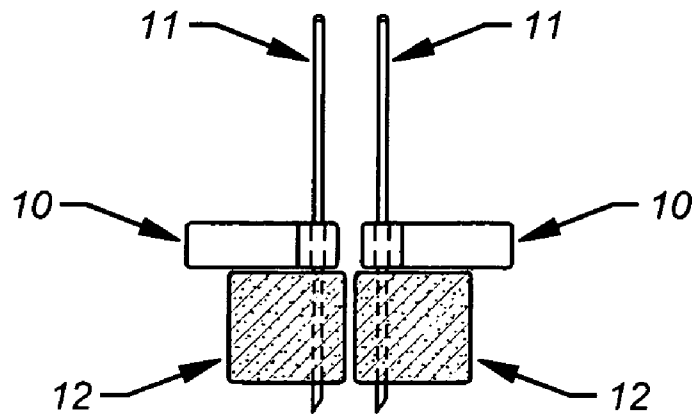
This disclosure relates to an improved dual axis surgical retractor for use by orthopedic or podiatric surgeons for controlled distraction of tarsal joints or compression of osseus fragments. This retractor generally consists of a pair of screw actuated retractor arms, the tips of which each have apertures for receiving and facilitating temporary pin fixation of the respective tarsal bones to be retracted or osseus fragments to be compressed.

**2 Claims, 4 Drawing Sheets**

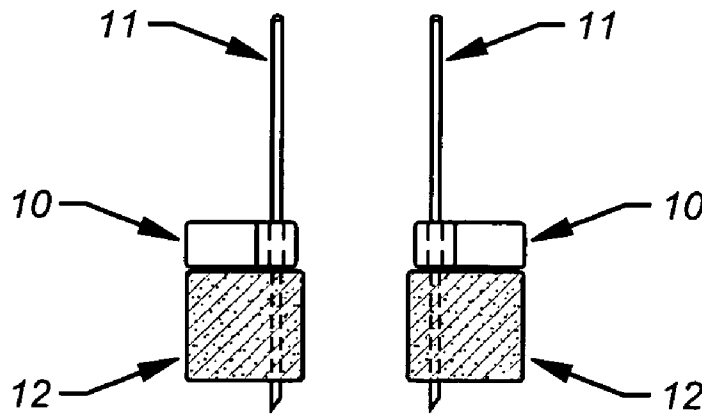




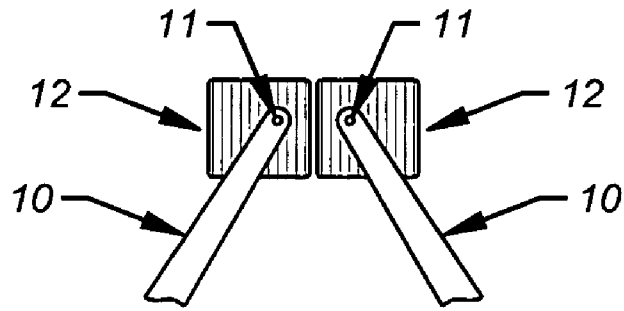
**FIG. 2**



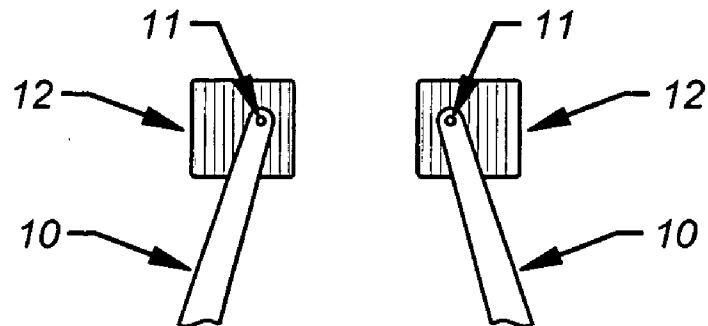
**FIG. 3a**



**FIG. 3b**



**FIG. 4a**



**FIG. 4b**